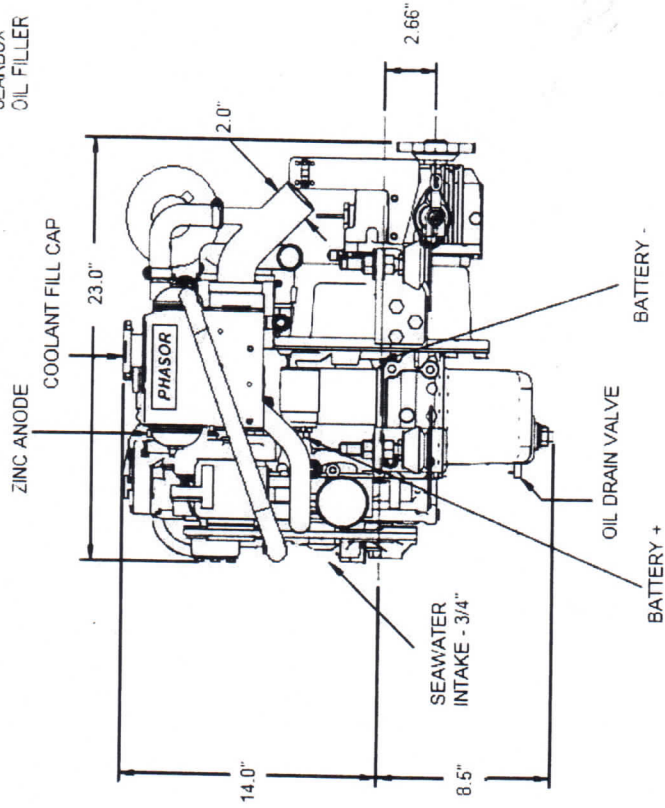
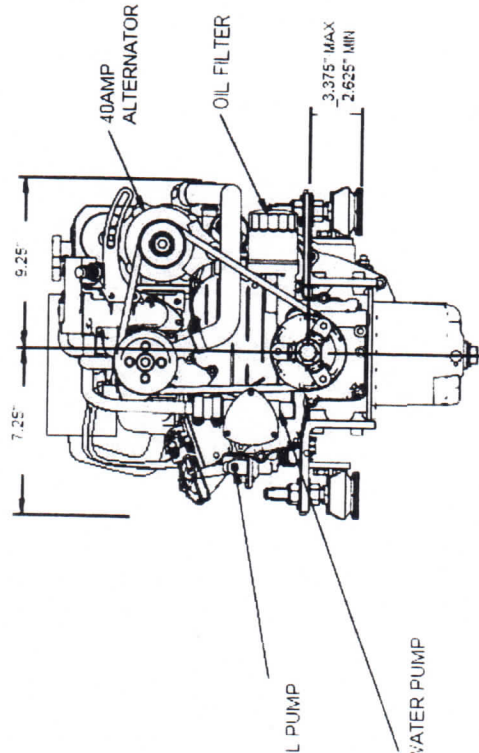
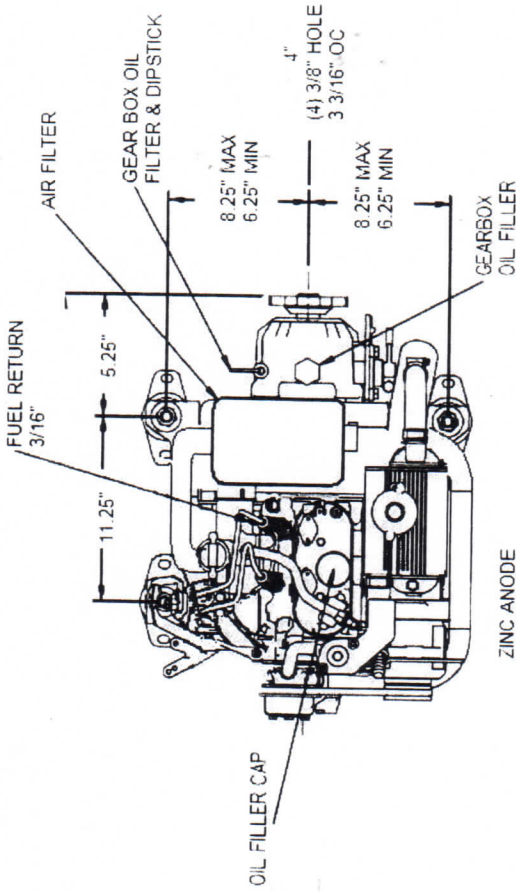


PHASOR MARINE

P2-14-SM P2-16-SM



ISOLATION MOUNT DETAILS

